

# Single Mode & Polarization Maintaining Pigtailed Photodiodes

## Features

- Planar semiconductor design and dielectric passivation
- 3-pin coaxial streamline packaging ,SM or PM pigtail without connector
- Superior noise and photoelectric performance
- Hermetical packaging and 100% purge burn-in

## Electro-Optical Characteristics(T=25°Q):

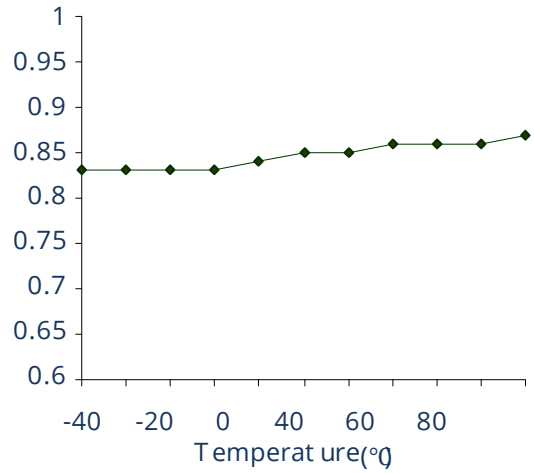
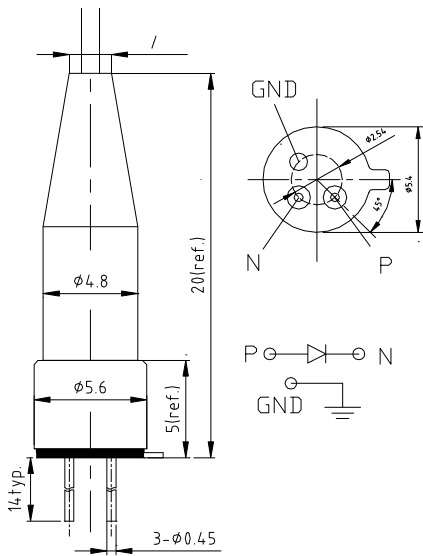
Parameters	Symbol	Test Conditions	Min	Typ	Max	Unit
Wavelength	$\lambda$		1000		1650	nm
Dark Current	$I_D$	$E_e=0, V_R =5V$		0.2	0.5	nA
Responsivity	$R_e$	$V_R =5V, \lambda=1310nm$	0.85	0.90		A/W
Responsivity	$R_e$	$V_R =5V, \lambda=1550nm$	0.90	0.95		A/W
Capacitance	$C$	$f=1MHz, case grounded V_R=5V E_e=0$		0.45	0.65	PF
Second order inter-modulation distortion	IMD2	$f_1=400MHz, P_1=-3dBm;$ $f_2=450.25MHz, P_2=-3dBm;$ $f_1+ f_2=850.25MHz.V_R=12V$ $MI=40\%.P_{avg}=0dBm.R_{load}=50\Omega$		-75	-70	dBc
Operating voltage	$V_{opr}$			-5	-15	V
Back Reflection	RL				-40	dB
Frequency Responsibility	BW	$V_R=5V, 50\Omega load with lead length=6mm, case open$	3			GHz

## Absolute Maximum Ratings(T=25°Q):

Parameters	Min	Max	Unit
Reverse Voltage		25	V
Input optical power		10	dBm
Reverse Current		5	mA
Forward Current		10	mA
Operating Temperature	-40	+85	°C
Storage Temperature	-40	+85	°C
Lead Solder Temperature		260	°C
Lead soldering duration		10	s
Fiber yield strength		1	kgf
Fiber bend radius	30		mm
Length of pigtail	1.2		m

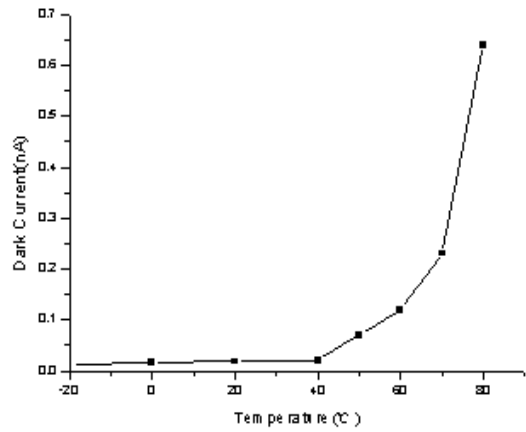
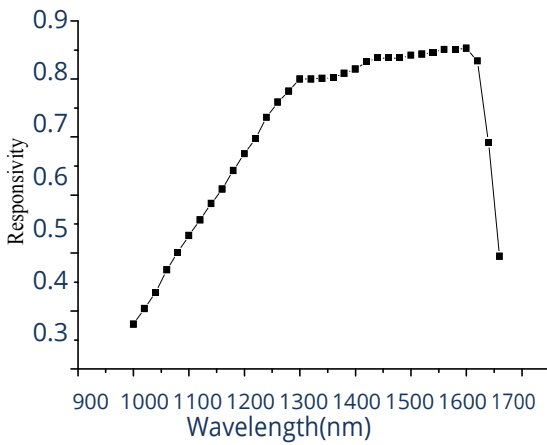
**A. ESD protection is imperative.**

**B. Please shorten the length of the devices leads as much as possible.**



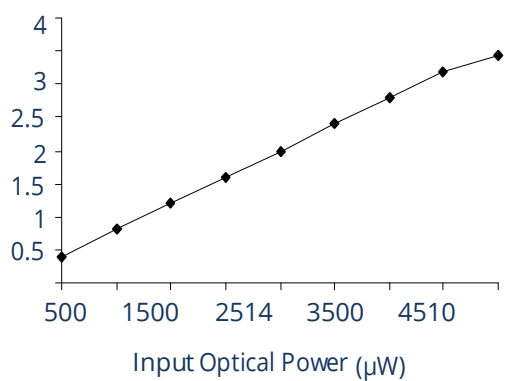
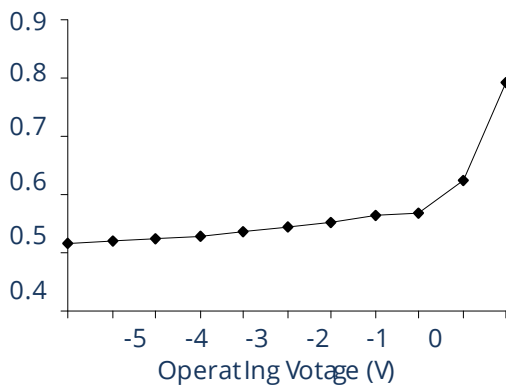
**Package Dimensions**

**Responsivity-Temperature Curve**



**Spectrum Curve**

**Dark Current-Temperature Curve**



**Capacitance-Voltage Curve**

**Current-Optical Power Curve**

**MAXER PHOTONICS LTD.**

180 West Beaver Creek Road,  
 Richmond Hill, Ontario, Canada, L4B 1B4

[www.maxerphotonics.com](http://www.maxerphotonics.com)

[sales@maxerphotonics.com](mailto:sales@maxerphotonics.com)